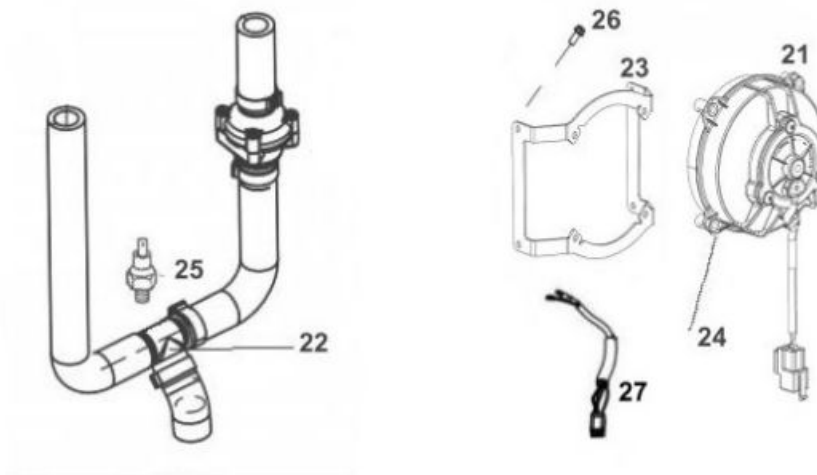


**28 = 21, 22, 23, 24,  
25, 26, 27**



21	RJ-MR PRO ELECTRIC RADIATOR FAN 0/005.060.9100 (u. 1)
22	RJ-RADIATOR HOSE T FITTING 0/000.290.9119 (u. 1)
23	RJ-MR PRO ELECTRIC RADIATOR FAN SUPPORT 0/000.980.9124 (u. 1)
24	RJ-SCREW RHS81P 5x12 Torx Z (WHITE) 0/000.460.0090 (u. 4)
25	RJ-TEMPERATUR SENSOR 87Å° M14x1,5 0/001.010.9102 (u. 1)
26	RJ-RIVET DIN 7337 / B 4.8x10 0/000.330.0053 (u. 4) OBSOLETE : RJ-SCREW 7337/A 5x10 <b>OBSOLETE</b> 0/000.330.0052 (u. 4)
27	RJ-MR PRO ELECTRIC RADIATOR FAN WIRE HARNESS 0/000.160.9111 (u. 1)
28	RJ-ELECTRIC RADIATOR FAN KIT {MR 20 →} 0/K05.060.9100 (u. 1)